



1890 Swarthmore Avenue, PO Box 2020, Lakewood, NJ 08701
 Phone: 800-526-3694, 732-363-4700, Fax: 732-364-8110
 www.flamegard.com • www.componenthardware.com

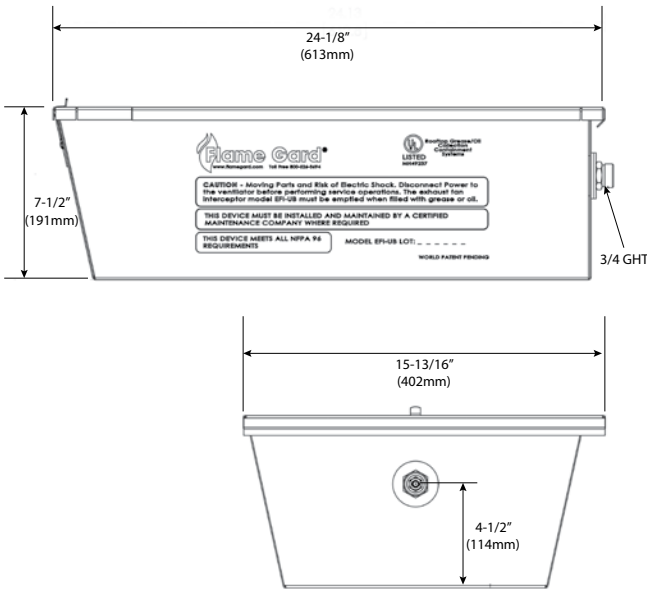
PROJECT NAME: _____

LOCATION: _____

SPECIFIER ITEM NO. _____ **QTY:** _____

FLAME GARD PART NO. _____

Flame Gard® Grease Interceptor
EFI-UB



Dimensions shown in inches (mm) are for reference only and are subject to change.

Approximate shipping weight - 22 lbs
 Warranty - 3 years parts

The easy and affordable solution to prevent grease damage to roof and fan.

Commercial Quality Features

- Separates grease from water - capturing the grease, allowing the clean water to run off
- Enables easy fan service / degreasing allowing both the grease and the contaminated water / cleaning chemicals to be disposed of correctly
- Captured grease is easily poured into disposal units for removal
- Type 304 stainless steel construction

Unique Design Benefits

- Helps avoid new roof / roof repair
- Helps avoid government fines associated with ground water contamination
- Helps avoid fire hazard
- Eliminates the high cost of maintenance of traditional boom systems
- Meets all NFPA 96 requirements

Easy Installation & Operation

- Easy, one-man installation
- No roof penetrations
- Simplifies hood cleaning
- No moving parts, no maintenance

PATENT PENDING

